



EYE SPLICE 16-STRAND CLASS I

Class I 16-strand ropes are made from any or all of the following fibers: olefin, polyester, or nylon.

The eye splice is used to place a permanent loop in the end of a rope, generally for attachment purposes to a fixed point. An eye is also used to form the rope around a thimble, which is used to protect the rope, especially when it is to be attached to a shackle, chain or wire rope.

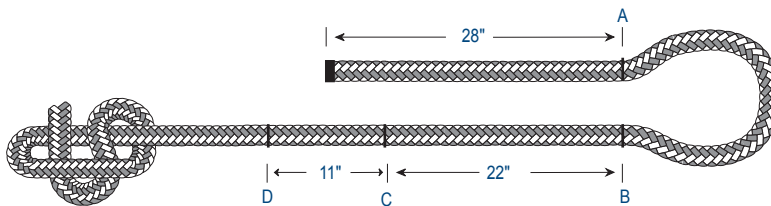
Additional rope needed for splice:
28: plus length of eye.

TIP: For this rope awire fid is easier to use than a tubular fid.

STEP 1

MEASUREMENTS

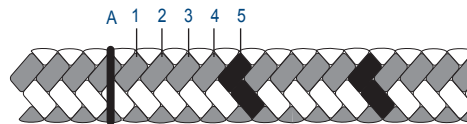
- 1A** Measure 28-inches from end of rope and make Mark A.
- 1B** Form desired size of eye and make Mark B opposite Mark A.
- 1C** Measure 22-inches down from Mark B and make Mark C.
- 1D** Measure 11-inches down from Mark C and make Mark D.
- 1E** Tie a knot in body of the rope about 11-inches down from Mark D.



STEP 2

MARKING COVER TAPER

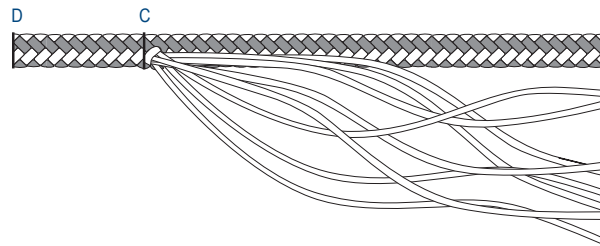
- 2A** From Mark A count 5 strand pairs toward the end of rope and mark the 5th pair (left and right strands).
- 2B** Continue counting down 5 pairs and marking the 5th pair until a total of 5 strand pairs are marked.



STEP 3

CORE REMOVAL

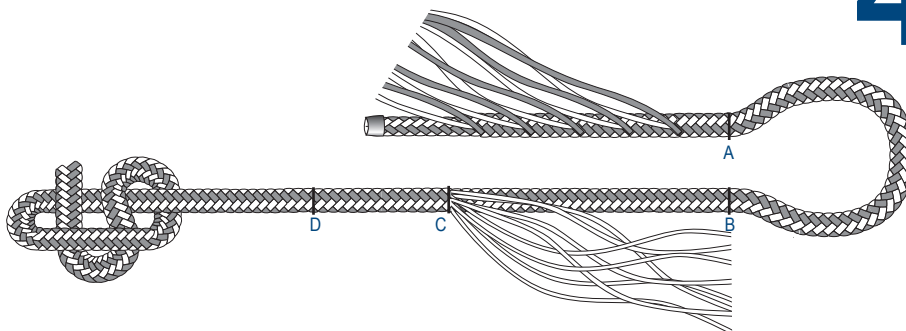
Carefully open up the braid at Mark C and pull out the core yarns from the end of the rope back to Mark C.



STEP 4

TAPERING END OF ROPE

- 4A** Pull out marked strand pairs from braid. Do not cut.
- 4B** Tape end of cover tail and attach fid to tapered end of rope.



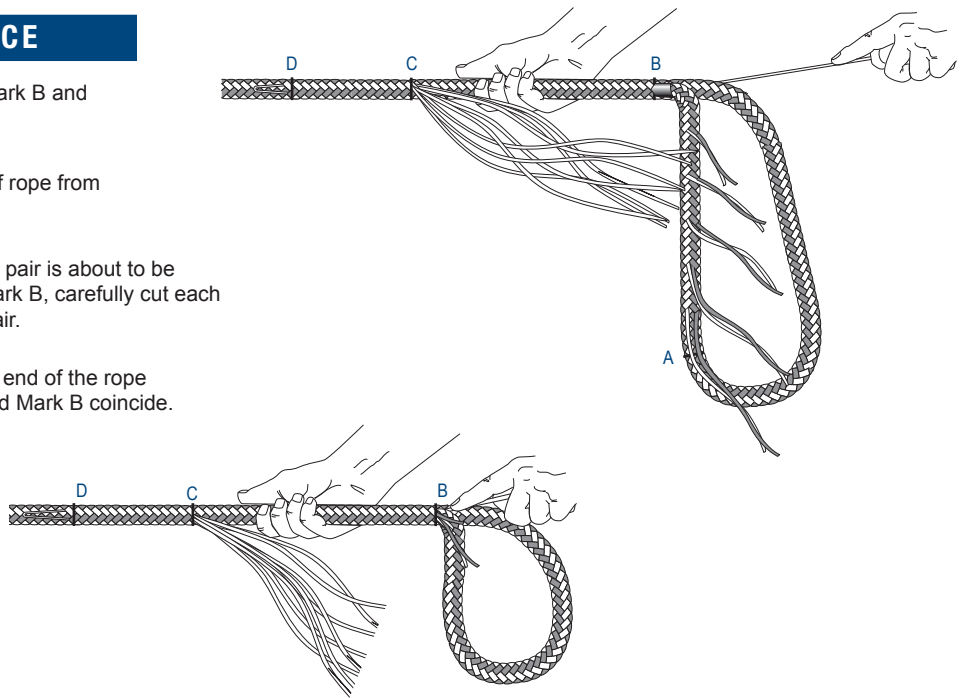


EYE SPLICE 16-STRAND CLASS I

STEP 5

PERFORMING SPLICE

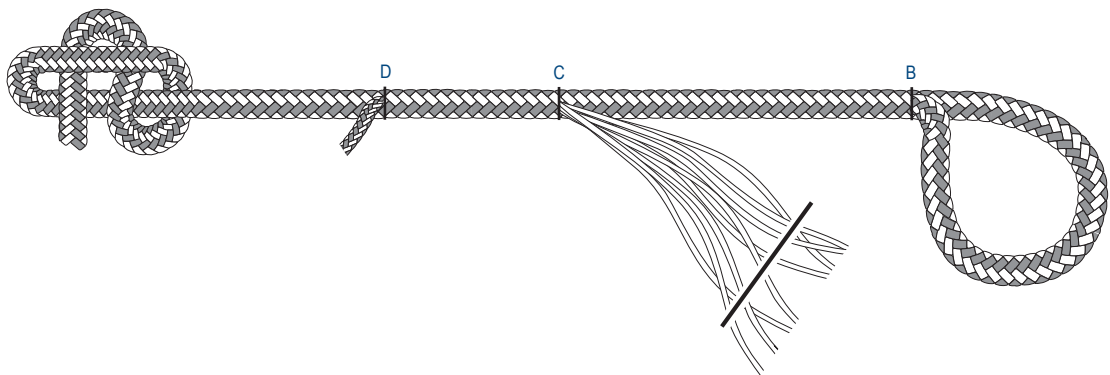
- 5A** Insert fid into rope at Mark B and out at Mark D.
- 5B** Pull tail through body of rope from B to D.
- 5C** As each marked strand pair is about to be buried in the rope at Mark B, carefully cut each strand in the marked pair.
- 5D** Continue to pull the tail end of the rope until Mark A and Mark B coincide.



STEP 6

MARKING TAILS

- 6A** Smooth rope from eye back to Mark D to remove all slack in the braid.
- 6B** Smooth rope from knot to Mark C to bury as much of the core yarns as possible.
- 6C** Mark both cover tail and core yarns where they exit from the body of the rope.





EYE SPLICE 16-STRAND CLASS I

STEP 7

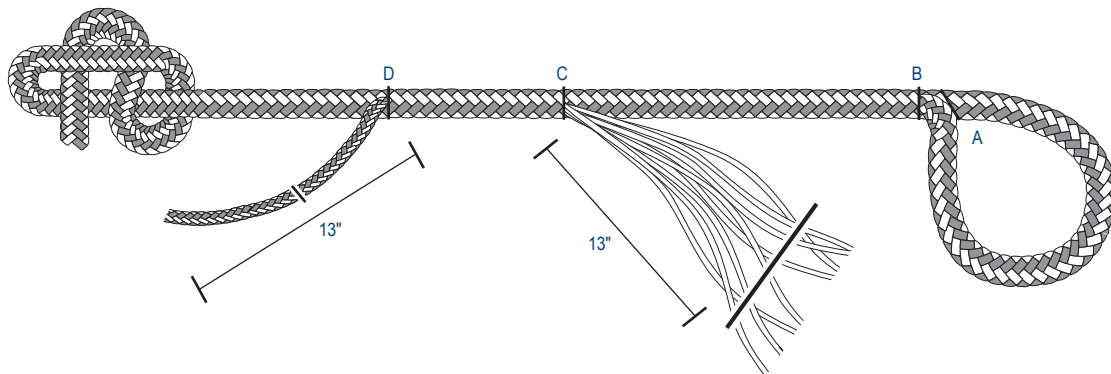
FINAL TAPER

7A Pull buried tail and cover yarns out of rope at their respective exit points until about 13-inches are exposed. This is the distance that the tail and core yarns overlap in the splice.

7B Cut both cover tail and core yarns where they were marked in step 6C above.

7C Taper both cover tail and core yarns from the ends back about 6.5-inches. This taper provides a smooth transition from the buried tail of the splice to the core yarns extending down the remainder of the rope.

7D Bury the exposed ends by alternately smoothing the rope from the eye down and from the knot up.



STEP 8

FINISHING THE SPLICE

8A Secure knot firmly in place and pull sharply on eye to make sure all slack is removed from splice area and cover and core tails are seated properly.

8B Apply whipping to base of eye for a distance of about 1-inch or 2 rope diameters.

